

Module 1: W300 x D300 x H300 mm



i) 9321395 - With Wooden Shelf



ii) 9321421 - With Glass Shelf

PROFILE & CONNECTORS



A



B



C



D

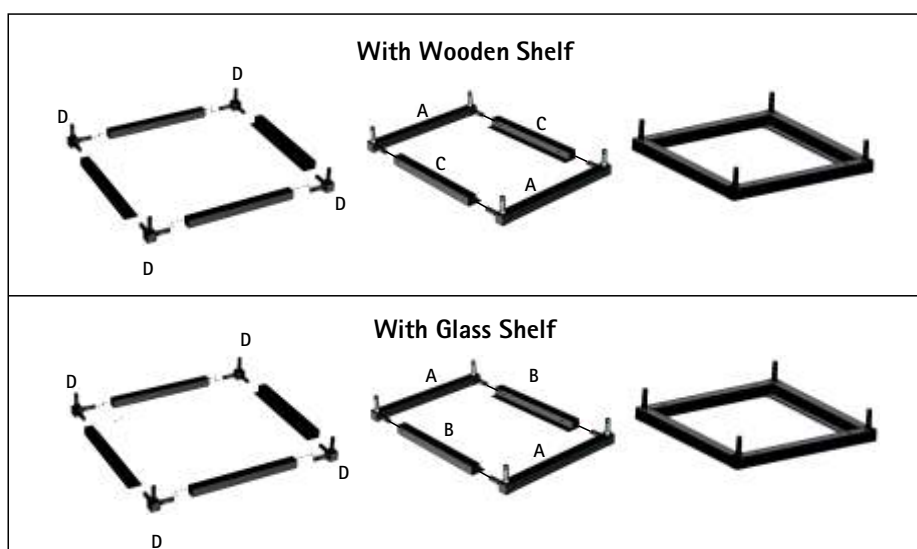


F

- A - Basic Profile
- B - Glass Profile
- C - Wood Profile
- D - 3 Way 3d Connector
- F - Wall mount set

STEP 1

Make top & bottom part of the cube by connecting cube profiles with connectors required as per design



STEP 2

Insert screw at all position in diagonally opposite pattern.

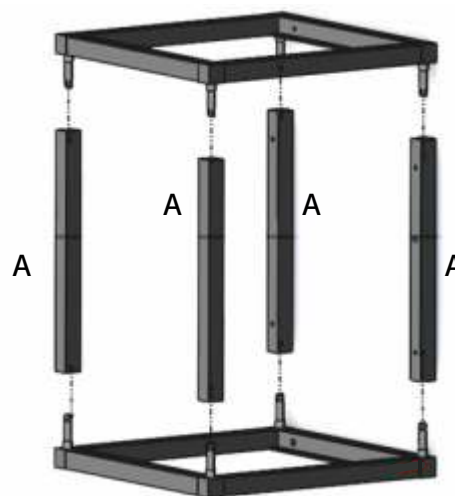
Note:

- ▶ Screw should be kept loose at this step
- ▶ Flatness should be maintained, it should not wobble.



STEP 3

Insert vertical profile
between Top and Bottom part



STEP 4

Insert screw at all position & tight all the screw present
in cube in diagonally opposite pattern and put the cover
caps for concealing the screws.

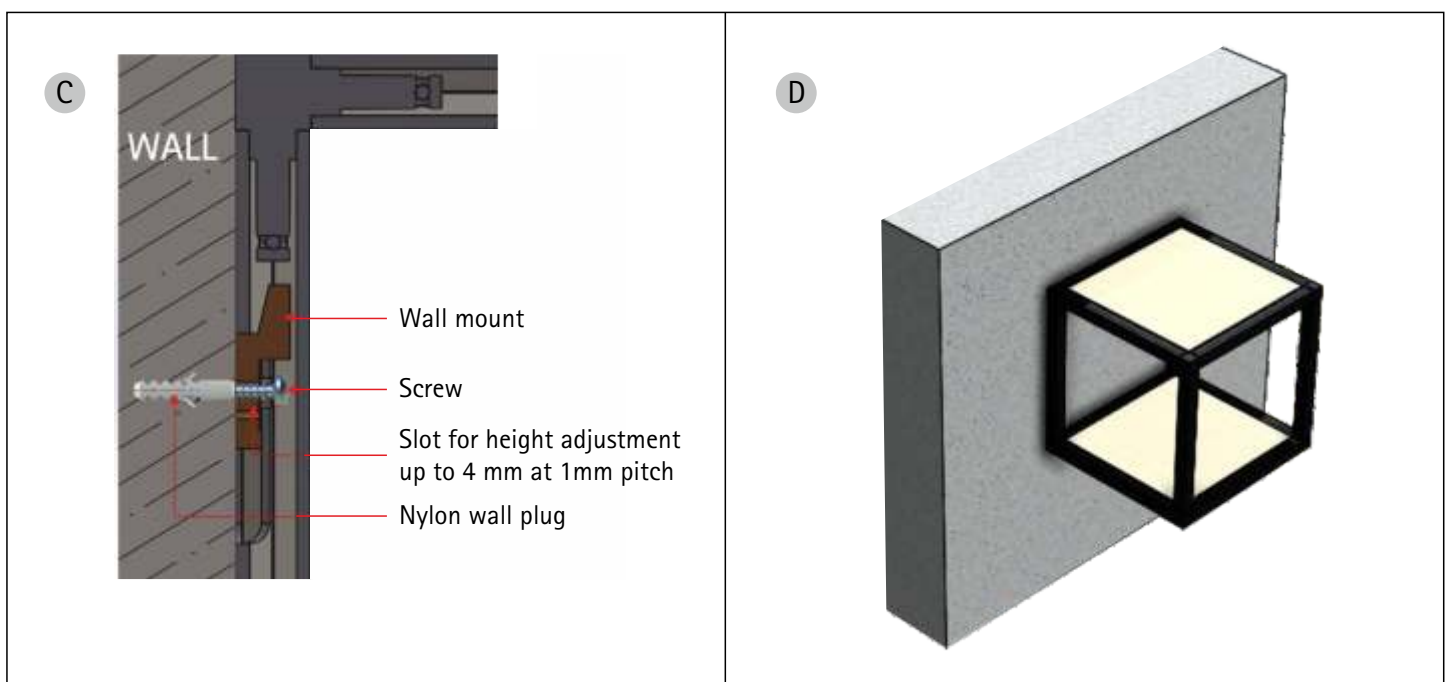
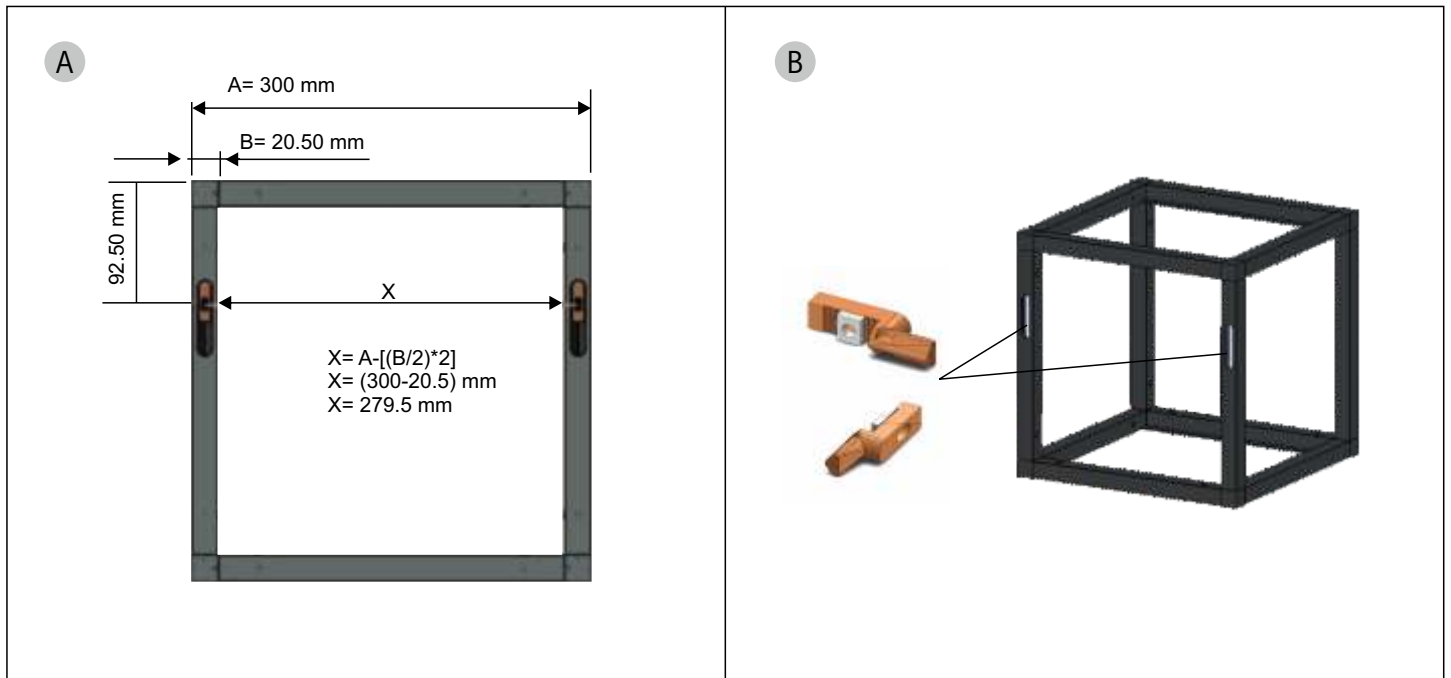
Note:

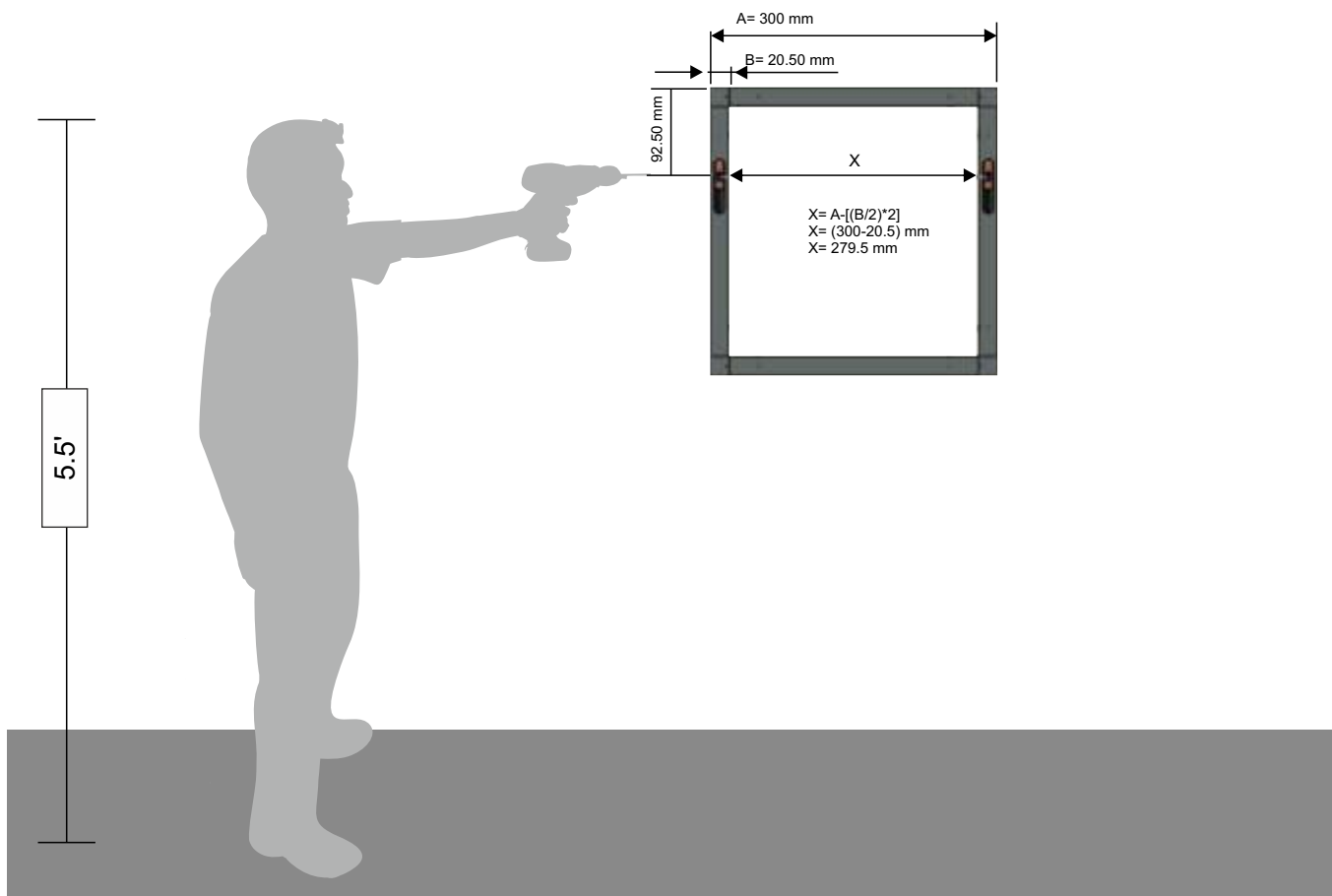
- ▶ Screw should not be over tightened
- ▶ Screw should be kept little loose to maintain flatness
& should be fitted in diagonally opposite pattern
- ▶ Flatness should be maintained, it should not wobble



STEP 5

- ▶ Drill on wall as per drilling dimension give
- ▶ Fix wall mounting bracket using wall screw & plug
- ▶ Hang the structure on brackets & do height adjustment if required





Maximum weight capacity

